

Manual Sausage Linking/Cutting Machine with 120mm Cutting Length

ITEM: #47681

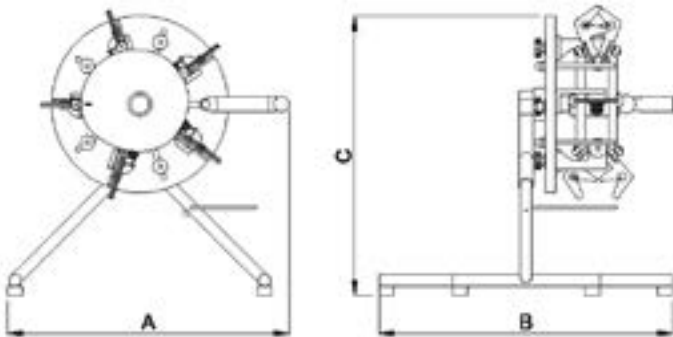


Machine for the Food Industry

Manual fresh sausage linking/cutting machine with interchangeable cam sets for different sausage lengths to maximum 7" / 180mm. Suitable for working with any type of casing.

FEATURES:

- Nips and cuts fresh sausage
- Suitable for natural or artificial casing
- Available Length Options: 100, 120, 140, 160 & 180 mm
- Manual operation (5 pieces per turn)
- Tabletop machine
- Easy maintenance and cleaning
- Ideal for tray packaging



TECHNICAL SPECIFICATION

ITEM	47681
OUTPUT	100 to 400 pieces per minute
SAUSAGE DIAMETER	10 to 35 mm
MATERIAL	stainless steel and non-toxic plastics (suitable for the meat industry)
NET WEIGHT	22 lb. / 10 kg.
GROSS DIMENSIONS	22.4" x 20" x 9.5" / 570 x 510 x 240 mm

	A (in / mm)	B (in / mm)	C (in / mm)
47681	17.7" / 450	19.3" / 490	19.7" / 500

